

# TECHNICAL DATA - EXH 210D / EXS 220D

## CABINET and WATER RESERVOIR

The cabinet and water reservoir are constructed from injection moulded high strength structural polymer, incorporating UV inhibitor additives.

## FAN

The fan is a centrifugal type with forward curved blades and double inlets, moulded in one piece from polypropylene. It is inherently, statically and dynamically balanced.

## FAN SHAFT

The fan shaft is extruded aluminium, marine grade 6/06/P6. The shaft does not rotate.

## FAN HOUSING

The fan housing is moulded from high strength structural polymer, incorporating resilient mounts for the shaft.

## LOUVRE PANELS

Louvre panels are moulded in high strength structural polymer, with UV inhibitor additives.

## FAN MOTOR

Electronically commutated permanent magnet motor, incorporating sealed ball bearings. The rotor is external to the stator and is injection moulded from glass reinforced fire resistant polymers. For safety, the motor is fitted with auto re-set overload protection.

## WATER DISTRIBUTION

Water supply connection to a float valve fitting. The pump is a centrifugal type with encapsulated windings. Patented distribution trays are moulded from polymer.

## COOLING PADS

High efficiency Chillcel® fabricated cooling pads.

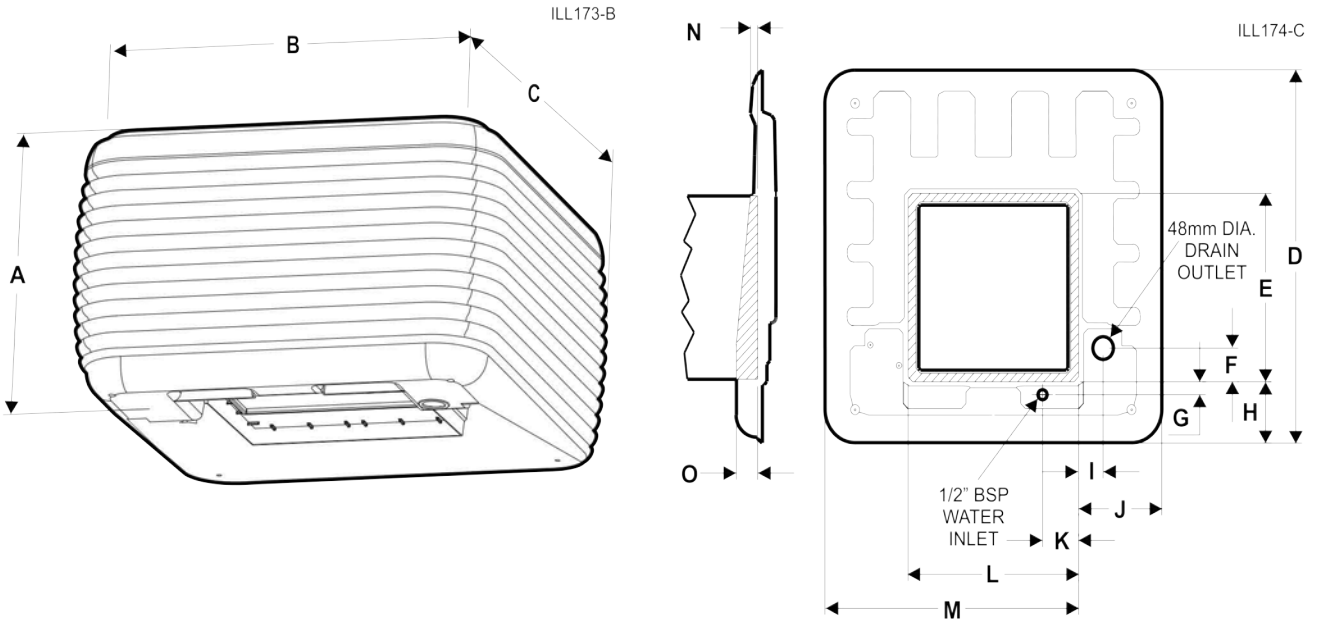
## SPECIFICATIONS

## EXH 210D / EXS 220D

<b>AIR FLOW</b>	High speed (l/s) at 80pa	l/sec	2786
<b>COOLING CAPACITY*</b>		kW	15.5
<b>POWER CONSUMPTION ( MAX )</b>		watts	2145
	<b>( MIN )</b>	watts	70
<b>TOTAL MAXIMUM COOLER CURRENT</b>		amps	9.0
<b>(for cable / circuit breaker sizing)</b>			
<b>FAN</b>	Dia x Width	mm	460 x 380
	Variable Speed Range	rpm	170-613
<b>MOTOR</b>	Output (Max/Min)	watts	1500/60 @ 220-264V
	Type		Direct Drive
	Variable Speed Range	rpm	170-613
<b>CONTROLLER</b>	Voltage/Phases/Hz (Input)		240/1/50
	Voltage/Phases/Hz (Output)		(75-220)/3/(28-110)
<b>PUMP</b>	Type		Centrifugal
	Motor		Synchronous
	Rating (Input)	watts	30
	Flow Rate	litres/minute	23
	Voltage/Phases/Hz		240/1/50
<b>COOLING PAD</b>	Size	mm	2 x 90 x 800 x 635(H) 2 x 100 x 800 x 635(H)
	Number of Pads		4
	Pad Area	m <sup>2</sup>	2.05
	Maximum Velocity	m/sec	1.36 (@80pa)
	Saturation Efficiency	%	89.1
	<b>WATER</b>	Tank Capacity	litres
Inlet		inches	½" male BSP
Drain		mm	40 male BSP
<b>SHIPPING</b>	Dimensions (inc. Pallet)	mm	1160 x 1160 x 975(H)
	Volume	m <sup>3</sup>	1.31
	Mass - Shipping	kg	78
	Mass - Nett Unit	kg	69
	Mass - Operating	kg	85

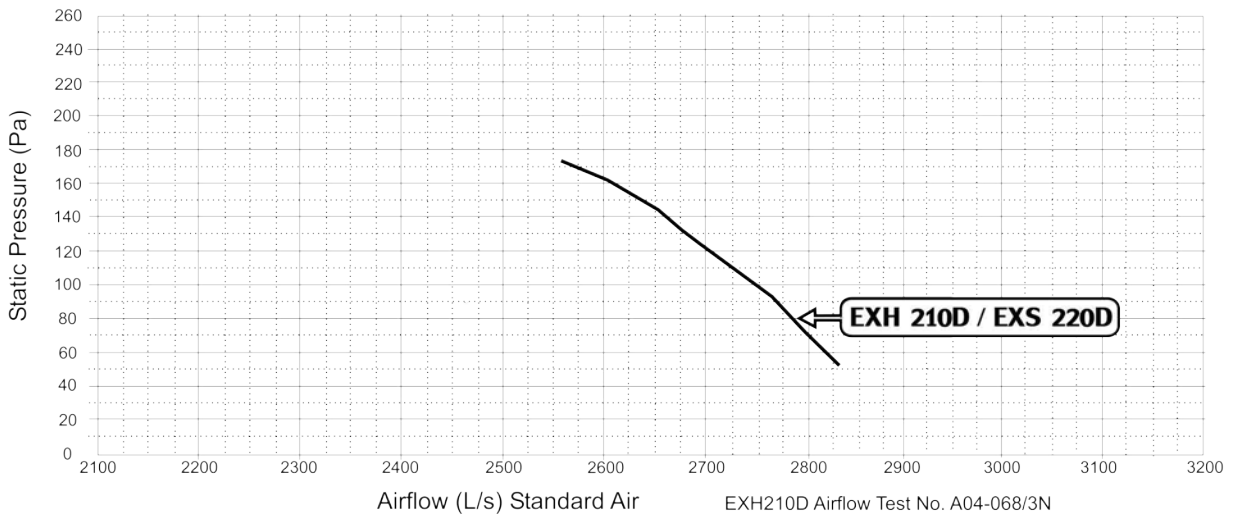
\* Cooling capacity measured to Australian standard AS 2913 - 2000, ambient of 38deg C dry bulb & 21 deg C wet bulb, with room exit temperature of 27.4 deg

**TECHNICAL DATA - EXH 210D / EXS 220D**



A	B	C	D	E*	F	G	H	I	J	K	L*	M	N	O
860	1160	1160	1108	555	109	38	182	81	274	118	555	834	38	84

Dimensions are in mm.  
\* Dropper dimension



Airflow performance has been measured in accordance with Australian Standard AS 2913 - 2000 "Evaporative Air Conditioning Equipment" by Meridian Laboratories Pty Ltd \*.



\*Meridian Laboratories is registered by the National Association of Testing Authorities, Australia. The tests reported herein have been performed in accordance with its terms of registration.

Registration Number: 3697